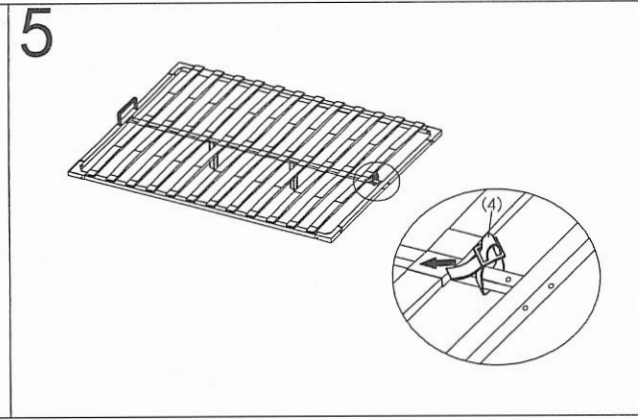
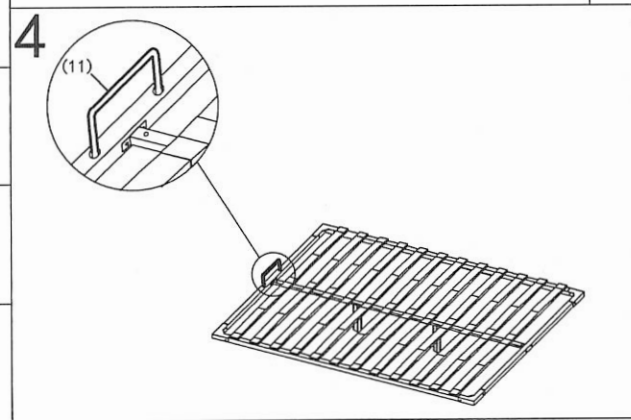
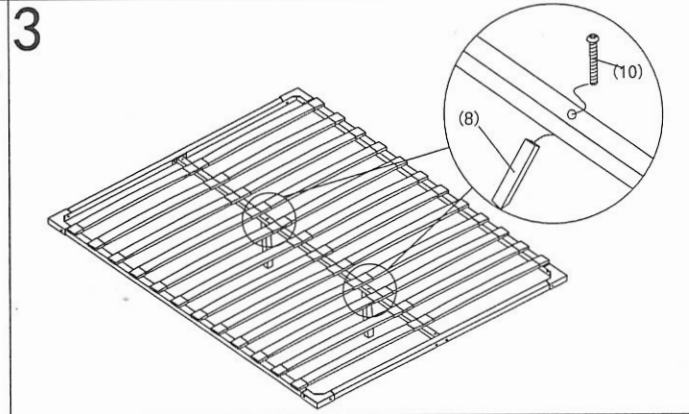
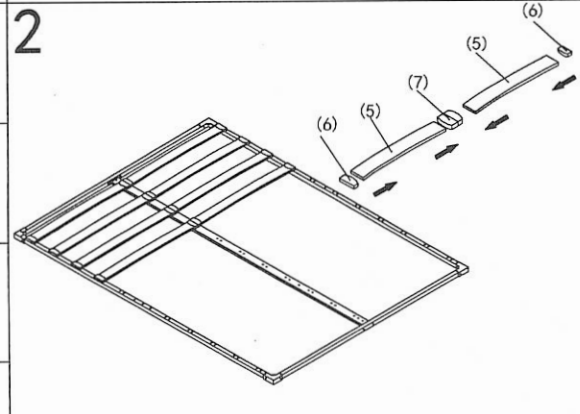
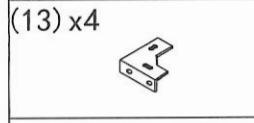
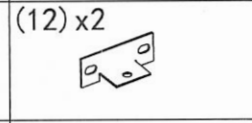
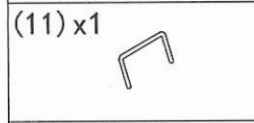
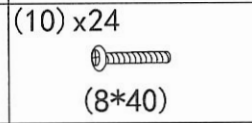
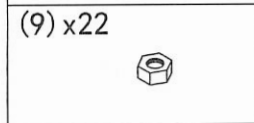
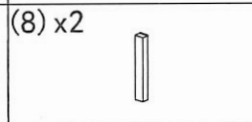
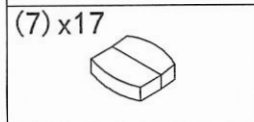
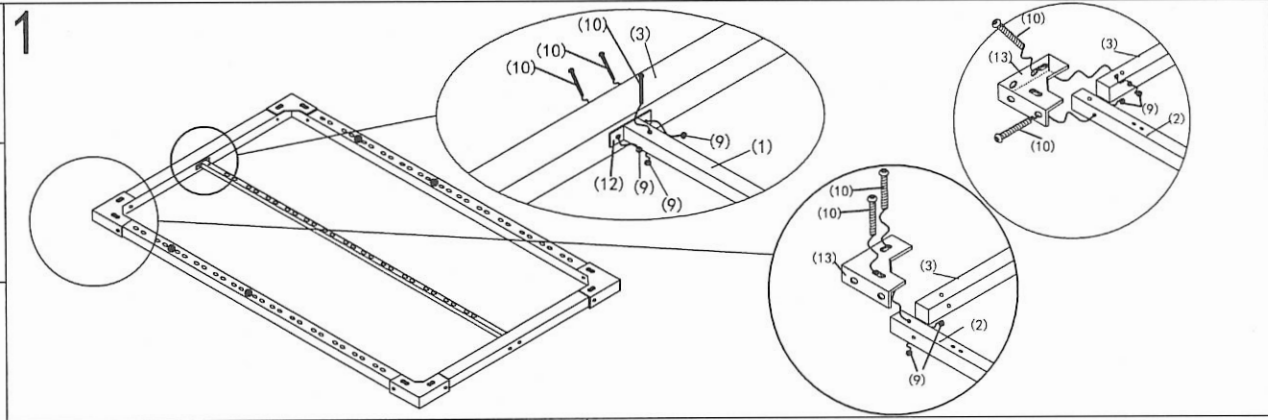
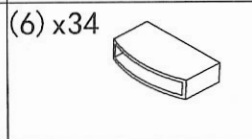
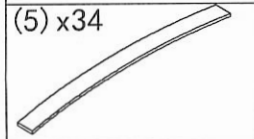
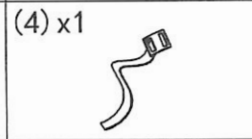
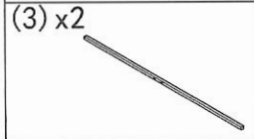
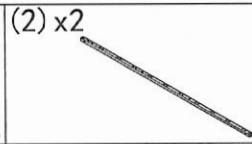
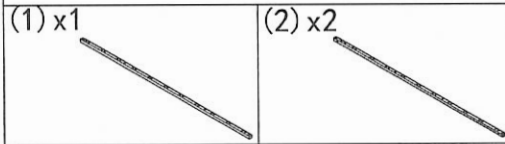



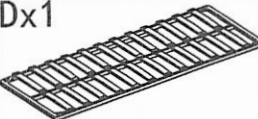


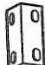




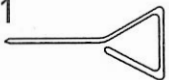







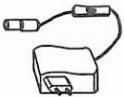
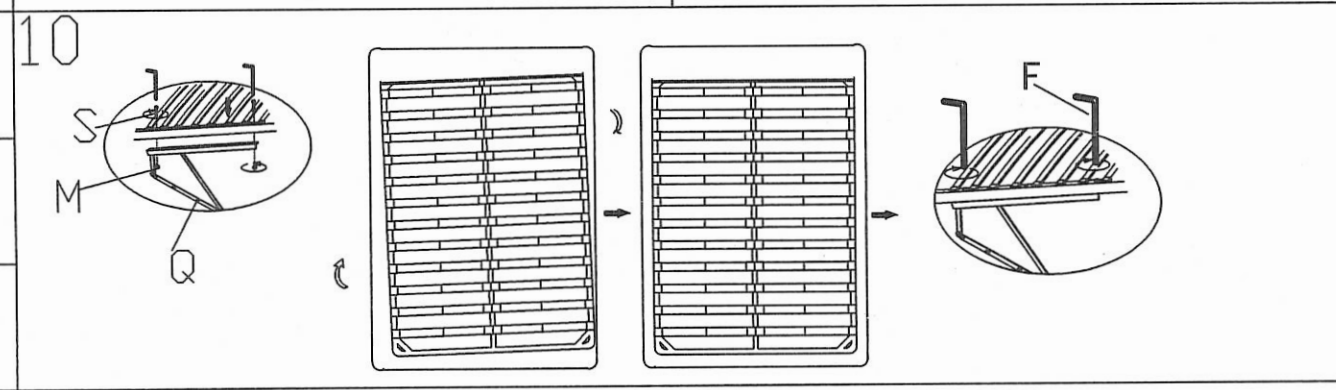
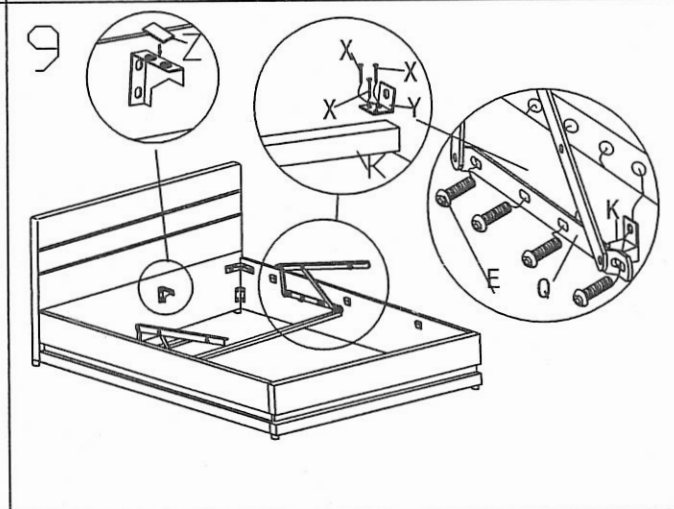
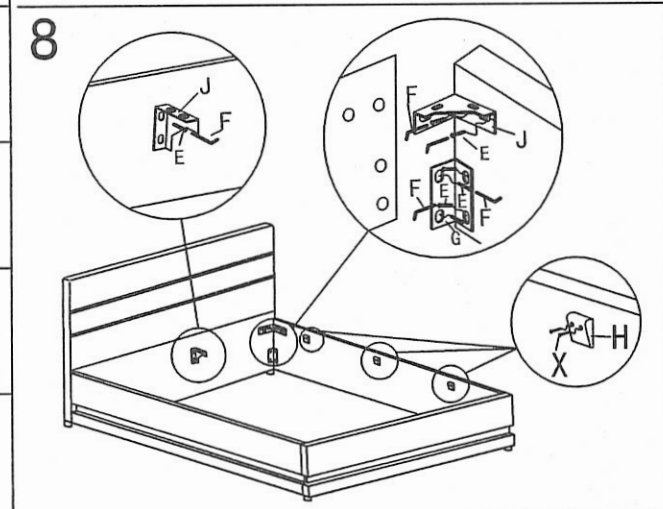
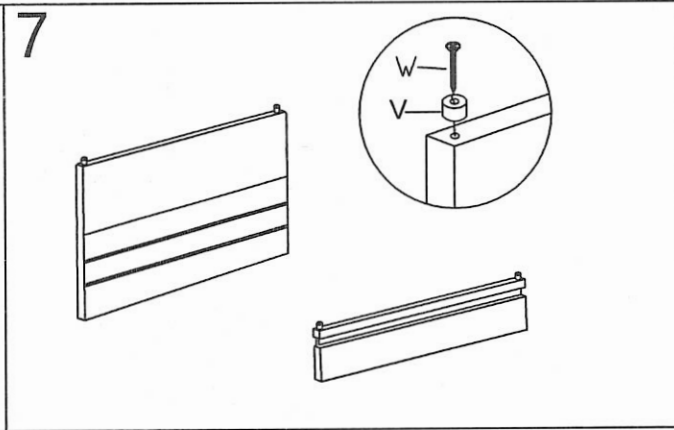
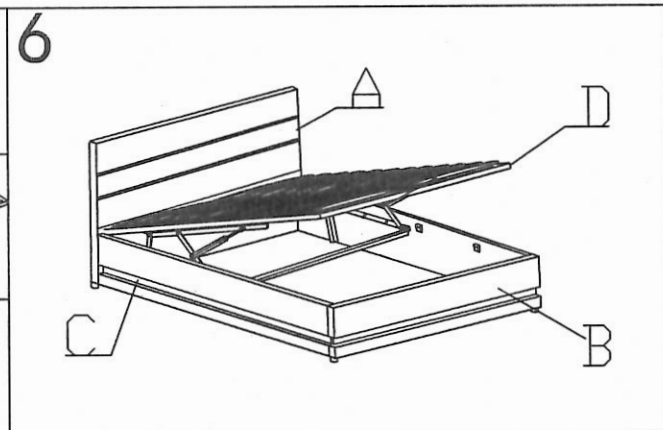


# BIRGET NEW



Ax1 	Bx1 
Cx2 	Dx1 
Ex42 (8*20) 	Fx1 
Gx4 	Hx6 
Ix1 	Jx5 
Kx1 	Lx1 
Mx4 	Nx16 (3*15) 
Ox16 	Px2 
Qx2  85cm	Rx1 
Sx4  (8*50)	Tx1 



Ux1



Vx4



2.5cm

Wx4



Xx18



(3\*20)

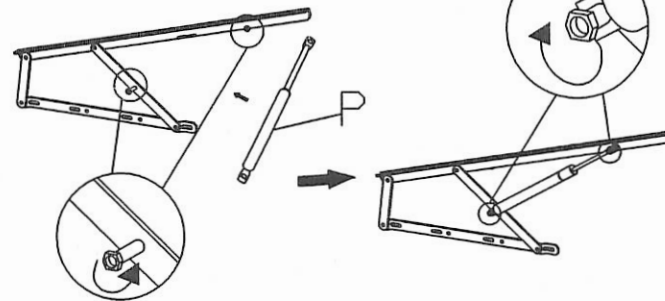
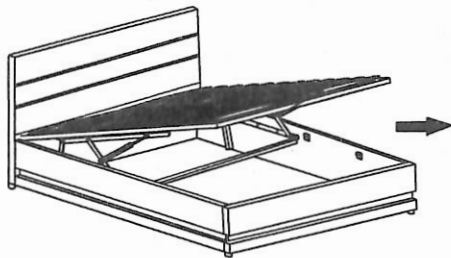
Yx2



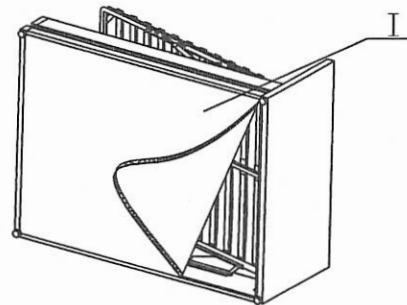
Zx1



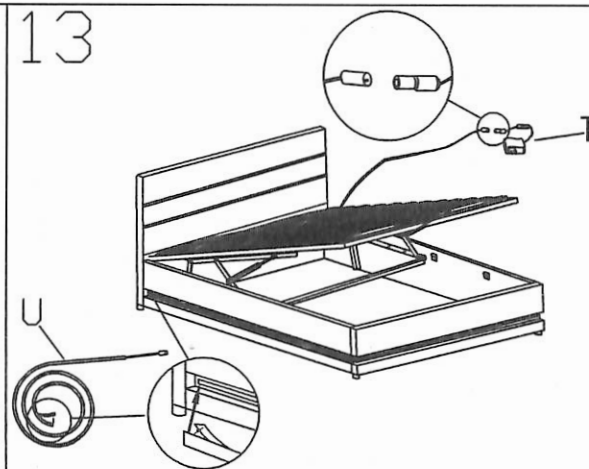
11



12



13



14

